

# NIBCO® Press System Bronze Gate Valves

Screw-In Bonnet • Rising Stem • Solid Wedge

**200 PSI/13.8 bar non-shock cold working pressure**  
**250°F maximum operating temperature**

CONFORMS TO MSS SP-80

## MATERIAL LIST

PART	SPECIFICATION
1. Handwheel Nut	300 Series Stainless Steel
2. Identification Plate	Aluminum
3. Handwheel	Malleable Iron ASTM A 47
4. Stem	Silicon Bronze ASTM B 371 Alloy C69430 or ASTM B 99 Alloy C65100
5. Pack Nut	Brass ASTM B 16 Alloy C36000
6. Pack Gland	Brass ASTM B 16 Alloy C36000
7. Packing	Aramid Fibers with Graphite
8. Bonnet	Bronze ASTM B 62 Alloy C83600
9. Body Assembly	Bronze ASTM B 62 Alloy C83600
10. Wedge	Bronze ASTM B 62 Alloy C83600
11. Female Adapter (2)	Bronze ASTM B 61 Alloy C92200
12. O-Ring (2)	EPDM



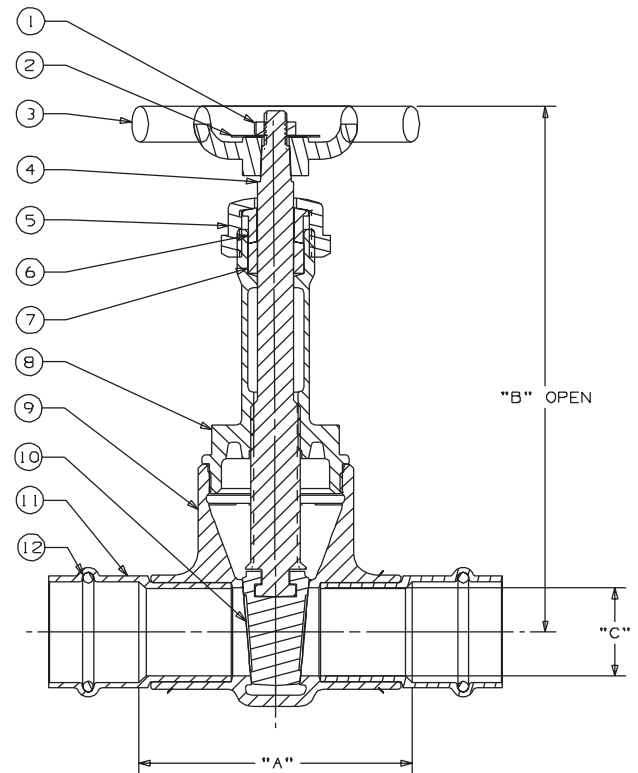
**PF-111**  
Press x Press  
Female End

## DIMENSIONS—WEIGHTS

Size	Dimensions						Weight		
	A		B		C		Lbs.	Kg.	
In.	mm.	In.	mm.	In.	mm.	In.	mm.		
½†	15	1.97	50	4.81	122	.50	13	.84	.38
¾	20	2.62	67	5.81	148	.75	19	1.30	.59
1	25	3.07	78	7.09	180	1.00	25	2.09	.95
1¼	32	3.36	85	8.13	206	1.25	32	2.95	1.34
1½	40	3.70	94	9.81	249	1.50	38	4.16	1.89
2	50	4.28	109	11.56	294	2.00	51	6.79	3.09

† No packing gland, packing only in this size.

NIBCO Press System gate valves are designed to meet MSS SP-80 with the exception of the end connection. Male and female press-to-connect ends are new technology not yet covered in the current edition of this specification.



**PF-111**  
P x P

Visit our website for the most current information.